



# TITAN

TECHNOLOGIES INTERNATIONAL, INC  
SUPERIOR BOLTING SOLUTIONS®

Dependable • Fast • Efficient

## TITAN

**AirTite®** Pneumatic Torque Wrenches  
&

**ETite™** Electric Torque Wrenches

are an integral element for getting  
your bolting job done right, on time, every time



TITAN is a leading bolting solutions provider committed to offering the most reliable and comprehensive bolting solutions world wide.



# TITAN

TECHNOLOGIES INTERNATIONAL, INC  
SUPERIOR BOLTING SOLUTIONS®

## AirTite®

Pneumatic Torque Wrenches



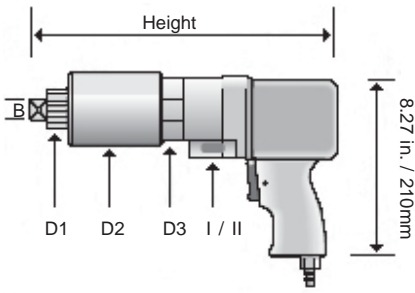
- **Calibrated & ready for use**
- **Powerful**
- **Compact**
- **Accurate**
- **Durable**
- **Faster**
- **Light-Weight**
- **Efficient**



### ***TITAN's Patented Technology Air-Tite®*** ***The New Global Standard for Pneumatic Torque Tools.***



- **Compact-Pneumatic-Torque Tool** - For continuously rotating loosening or tightening of bolted connections
- **Heavy-duty gear box** - Unique highly developed, tested and proven technology
- **Dedicated Heavy Duty Pneumatic Motor** - designed and manufactured for use in Titan AirTite tools. Insures Quality & Accuracy- Reliable & Robust - lower total cost of ownership.
- **Mechanical selection switch**- For power/run-down gear (AT-F2 gear) Fast - EASY to operate - Ensures durability - ERGONOMIC
- **Ergonomic & Safe control switch**- Instantly reversible clockwise and counter-clockwise rotation
- **Sintered Gears** - better stress distribution - practically indestructible
- **Finely crafted** - of the highest quality materials for unrivaled strength and long life.
- **Guaranteed Quality** - Titan backs its products with the strongest warranty in the business.
- **360 Degree Articulating Motor** -for unrivaled versatility and simplicity. Titan "R" Series ROTATES for tight area applications and increased safety.
- **QUIET** - 66-78 dB(A)
- **Continuous rotation** - loosen or tighten bolted connections Fast - EASY - Safe
- **TITAN Air-Tite® - Proven!** *Titan Technologies is the fastest growing company in our industry. We provide a better engineered tool at competitive prices. Our tools are designed for longer life so your total cost of ownership is less with Titan. The quality of the products, our service, and our people are the reason for this unprecedented growth.*



**ENGINEERED FOR QUALITY . . .  
 . . . BUILT TO LAST!**

*Rated for use at Full Capacity.  
 Unique gear design for Superior Strength and Life.*

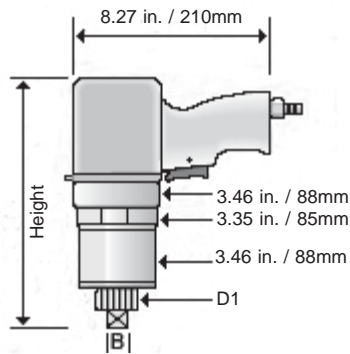


**AirTite® F-Series Two Speed**

| Titan Model No.             |          | AT800F-2    | AT1200F-2 | AT2650F-2 | AT3700F-2 | AT5800F-2 | AT7000F-2 | AT8100F-2  | AT12500F-2 | AT25000F-2  | AT35000F-2   |
|-----------------------------|----------|-------------|-----------|-----------|-----------|-----------|-----------|------------|------------|-------------|--------------|
| Torque Range*               | ft-lb    | 280-830     | 406-1191  | 904-2652  | 1269-3728 | 1973-5801 | 2368-6959 | 2762-8121  | 4279-12539 | 8482-25077  | 11801-35845  |
|                             | nm       | 380-1125    | 550-1615  | 1225-3595 | 1720-5055 | 2675-7865 | 3210-9435 | 3745-11010 | 5800-17000 | 11500-34000 | 16000-486000 |
| 1st Gear                    | ft-lb    | 89-262      | 125-372   | 284-834   | 398-1169  | 620-1822  | 745-2039  | 867-2548   | 1180-3540  | 2434-7154   | 3467-10252   |
|                             | nm       | 120-355     | 170-505   | 385-1130  | 540-1585  | 840-2470  | 1010-2765 | 1175-3455  | 1600-4800  | 3300-9700   | 4700-13900   |
| 2nd Gear                    | ft-lb    | 120-355     | 170-505   | 385-1130  | 540-1585  | 840-2470  | 1010-2765 | 1175-3455  | 1600-4800  | 3300-9700   | 4700-13900   |
| Square Drive (B)            | in       | 3/4 & 1     | 1         | 1         | 1-1/2     | 1-1/2     | 1-1/2     | 1-1/2      | 2-1/2      | 2-1/2       | 2-1/2        |
| D1**                        | in       | 1.61 / 2.13 | 2.13      | 2.13      | 2.83      | 2.83      | 2.83      | 3.58       |            |             |              |
|                             | mm       | 41 / 54     | 54        | 54        | 72        | 72        | 72        | 91         | SW120      | SW120       | SW120        |
| D2                          | in       | 3.35        | 3.35      | 3.35      | 3.86      | 4.84      | 5.83      | 6.81       | 10.83      | 10.83       | 10.83        |
|                             | mm       | 85          | 85        | 85        | 98        | 123       | 148       | 172        | 275        | 275         | 275          |
| D3                          | in       | 3.46        | 3.46      | 3.46      | 3.86      | 4.84      | 5.83      | 6.81       | 10.83      | 10.83       | 10.83        |
|                             | mm       | 88          | 88        | 88        | 98        | 123       | 148       | 173        | 275        | 275         | 275          |
| Height                      | in       | 11.02       | 12.99     | 14.17     | 14.96     | 16.14     | 16.14     | 16.93      | 22.44      | 22.44       | 22.44        |
|                             | mm       | 280         | 330       | 360       | 380       | 410       | 410       | 430        | 570        | 570         | 570          |
| Free Speed<br>(rpm)         | 1st gear | 12          | 7         | 5         | 3         | 2         | 1.5       | 1          | 0.5        | 0.4         | 0.3          |
|                             | 2nd gear | 36          | 21        | 15        | 9         | 6         | 5         | 4          | 1          | 0.8         | 0.6          |
| Weight<br>(without support) | lb       | 15.43       | 16.53     | 19.84     | 24.25     | 33.07     | 44.09     | 52.91      | 132.27     | 132.27      | 132.27       |
|                             | kg       | 7           | 7.5       | 9         | 11        | 15        | 20        | 24         | 60         | 60          | 60           |

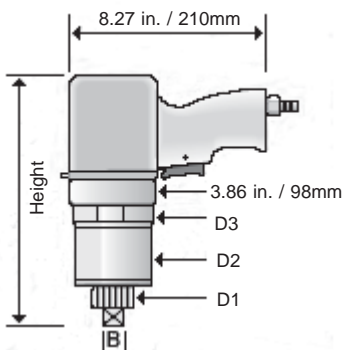
**AirTite® R Series**

**AT160R - AT1400R**



| Titan Model No.             |       | AT160R    | AT290R    | AT360R    | AT660R    | AT800R     | AT1100R       | AT1400R    |
|-----------------------------|-------|-----------|-----------|-----------|-----------|------------|---------------|------------|
| Torque Range*               | ft-lb | 55 - 165  | 100 - 290 | 120 - 360 | 225 - 660 | 295 - 795  | 365 - 1070    | 475 - 1400 |
|                             | nm    | 75 - 225  | 135 - 390 | 165 - 485 | 305 - 895 | 365 - 1080 | 495 - 1450    | 645 - 1900 |
| Square Drive (B)            | in    | 1/2 & 3/4 | 3/4       | 3/4       | 3/4       | 3/4        | 3/4 & 1       | 1          |
| D1**                        | in    | 1.61      | 1.61      | 1.61      | 1.61      | 1.61       | 1.61 / 2.13   | 2.13       |
|                             | mm    | 41        | 41        | 41        | 41        | 41         | 41 / 54       | 54         |
| Height                      | in    | 10.04     | 10.04     | 10.04     | 10.83     | 10.83      | 10.83 / 11.81 | 11.81      |
|                             | mm    | 255       | 255       | 255       | 275       | 275        | 275 / 300     | 300        |
| Free Speed**                | rpm   | 60        | 34        | 27        | 19        | 13         | 9             | 7          |
| Weight<br>(without support) | lb    | 13.89     | 13.89     | 13.89     | 15.43     | 15.43      | 15.43 / 16.1  | 16.1       |
|                             | kg    | 6.3       | 6.3       | 6.3       | 7         | 7          | 7 / 7.3       | 7.3        |

**AT2000R - AT8000R**



| Titan Model No.             |       | AT2000R    | AT2550R     | AT3200R     | AT4500R     | AT5700R     | AT7200R     |
|-----------------------------|-------|------------|-------------|-------------|-------------|-------------|-------------|
| Torque Range*               | ft-lb | 671 - 1969 | 870 - 2552  | 1099 - 3231 | 1534 - 4510 | 1925 - 5680 | 2430 - 7230 |
|                             | nm    | 910 - 2670 | 1180 - 3460 | 1490 - 4380 | 2080 - 6115 | 2610 - 7700 | 3300 - 9800 |
| Square Drive (B)            | in    | 1          | 1           | 1-1/2       | 1-1/2       | 1-1/2       | 1-1/2       |
| D1**                        | in    | 2.13       | 2.13        | 2.83        | 2.83        | 2.83        | 3.58        |
|                             | mm    | 54         | 54          | 72          | 72          | 72          | 91          |
| D2                          | in    | 3.35       | 3.35        | 3.86        | 4.84        | 5.83        | 6.81        |
|                             | mm    | 85         | 85          | 98          | 123         | 148         | 173         |
| D3                          | in    | 3.46       | 3.46        | 3.86        | 4.84        | 5.83        | 6.81        |
|                             | mm    | 88         | 88          | 98          | 123         | 148         | 173         |
| Height                      | in    | 11.81      | 11.81       | 12.6        | 13.78       | 13.78       | 14.57       |
|                             | mm    | 300        | 300         | 320         | 350         | 350         | 370         |
| Free Speed**                | rpm   | 8          | 6.5         | 4           | 2.5         | 1.5         | 1           |
| Weight<br>(without support) | lb    | 19.84      | 19.84       | 26.46       | 35.27       | 41.89       | 55.12       |
|                             | kg    | 9          | 9           | 12          | 16          | 19          | 25          |



# TITAN

TECHNOLOGIES INTERNATIONAL, INC  
SUPERIOR BOLTING SOLUTIONS®

## ETite™

### Electronic Torque Wrenches



Available in  
Pistol-Grip  
& Right Angle  
models



RATED  
IP 54

- **Calibrated & Ready For Use**
- **Powerful**
- **Compact**
- **Accurate**
- **Extremely Durable**
- **Faster**
- **Light-Weight**
- **Efficient**



### TITAN'S Patented ETite™ Electric Technology

- Suitable for all **International Electric Networks** (100-253V / 45-66Hz)
- **Unique Universal Drive** - Electronic and Frequency Controlled
- **Brushless** - synchronized motor - constant high torque magnetic motor features a highly efficient operation ratio. Unique and patented advanced drive system.
- **Low Total Cost of Ownership** - High Quality, Reliable and Robust, Maintenance Free Motor
- **Fast** - Fastest Electronic tool on the market
- **Easy to operate** - Ergonomic and USER FRIENDLY
- **Finely Crafted** of the highest quality materials for unrivaled strength and long life
- **Precise and Accurate** - Automatic shut-off upon reaching the preset torque. The **Titan Advantage**: Accurate torque for both hard and soft flange applications
- **Guaranteed Quality** - Titan backs its products with the **strongest warranty** in the business. Ask about our **THREE YEAR Maintenance & Warranty** program
- **Quiet** - Virtually Silent in operation



### Titan ETite™ Electric Compact and Compact Plus Series: with IP54 Certification



#### Standard: 19 Preset Torque Settings

Pre-Set Torque is displayed via the corresponding LED Display

**Plus: Unlimited Torque Settings**, Plus Torque and Angle Capabilities, PLUS MORE

#### Technical Information

Preset torques, speed and frequency are correspondingly regulated, controlled and calibrated.

Micro-controlled monitoring combined with internal processor controlled switch-off electronics guarantees precise repeatability of preset torque.

Repeatable accuracy of +/- 5% for either soft or hard joints.

Integrated motor protection: A Unique Safety Feature is an automatic temperature shut-off. A built-in permanent cooling fan keeps on running after the safety shut-off, thus providing fast cooling.

Ergonomic Operation - Very comfortable to operate. Eliminates a source of repetitive stress disorder

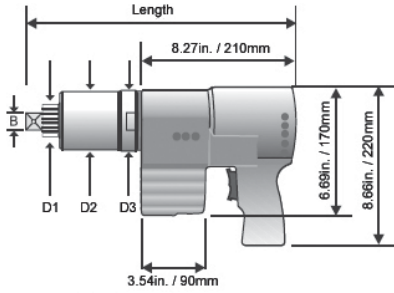
Operational Features- On/Off Tool Switch, One-handed ergonomic operation, Right/Left rotation for safe and precise positioning of tool (excellent for tap operation) as well as start of tightening of nuts and bolts. Units feature a display and easy setting of desired shut-off torques, modes for rotation and angle, loosening, rotation of angle in degrees or number of revolutions included in operation menu.

Electrical Data: Voltage 100-253 V, Frequency 45, 66 Hz

Microprocessor Controlled: Computer shut-off. Electronic safe switch technology: Models from 85 Nm to 6300 Nm (63 ft lb to 4647 ft lb). Manual or preprogramming control modes. CSA Approved.



# ENGINEERED FOR QUALITY . . . . . . BUILT TO LAST!



*Patented Universal Electric Motor  
Rated for use at Full Capacity.  
Unique gear design for Superior Strength and Life.*



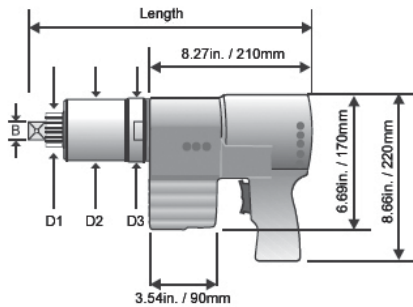
Standard:  
19 Pre-Programmed  
Settings



Plus:  
Precise and Unlimited Torque Settings  
Torque and Angle Fully Programmable

| ETC                     |       | ETC-200  | ETC-245  | ETC-330  | ETC-370  | ETC-460  | ETC-640   | ETC-920     | ETC-1220   | ETC-1700   |
|-------------------------|-------|----------|----------|----------|----------|----------|-----------|-------------|------------|------------|
| Torque Range*           | Nm    | 35 - 270 | 45 - 335 | 55 - 450 | 65 - 500 | 80 - 630 | 100 - 860 | 190 - 1240  | 350 - 1660 | 450 - 2300 |
|                         | ft-lb | 25 - 200 | 35 - 245 | 40 - 330 | 50 - 370 | 60 - 465 | 75 - 635  | 140 - 195   | 260 - 1220 | 330 - 1695 |
| Square Drive (B)        | in    | 3/4      | 3/4      | 3/4      | 3/4      | 3/4      | 3/4       | 3/4 / 1     | 1          | 1          |
| Diameter 1              | in    | 1.61     | 1.61     | 1.61     | 1.61     | 1.61     | 1.61      | 1.61 / 2.13 | 2.13       | 2.13       |
|                         | mm    | 41       | 41       | 41       | 41       | 41       | 41        | 41 / 54     | 54         | 54         |
| Diameter 2              | in    | 3.35     | 3.35     | 3.35     | 3.35     | 3.35     | 3.35      | 3.35        | 3.35       | 3.35       |
|                         | mm    | 85       | 85       | 85       | 85       | 85       | 85        | 85          | 85         | 85         |
| Diameter 3              | in    | 3.46     | 3.46     | 3.46     | 3.46     | 3.46     | 3.46      | 3.46        | 3.46       | 3.46       |
|                         | mm    | 88       | 88       | 88       | 88       | 88       | 88        | 88          | 88         | 88         |
| Length                  | in    | 12.99    | 12.99    | 12.99    | 12.99    | 12.99    | 12.99     | 12.99       | 12.99      | 12.99      |
|                         | mm    | 330      | 330      | 330      | 330      | 330      | 352       | 352 / 372   | 372        | 372        |
| Weight without support* | lb    | 19.40    | 19.40    | 19.40    | 19.40    | 19.40    | 20.70     | 20.70/22.00 | 22.00      | 22.00      |
|                         | kg    | 8.8      | 8.8      | 8.8      | 8.8      | 8.8      | 9.4       | 9.4 / 10    | 10         | 10         |
| Idle Speed*             | rpm   | 76       | 55       | 42       | 38       | 30       | 23        | 20          | 18         | 12         |

\*Note: When selecting a model remember to purchase a tool with sufficient power for loosening. A good guideline would be to select a model with 25% to 50% more power than needed for make up torques.



**Both the AirTite Electric Compact & Compact PLUS Series are available with IP54 Certification**

**PLUS FEATURES** Presettable bolting programs (modes), simple input of parameters such as **Torque and Angle**

Pre-set Torque and Angle Rotation are displayed via the corresponding LCD

| EIP                     |       | EIP-300   | EIP-440   | EIP-740    | EIP-1100   | EIP-1330   | EIP-1850   | EIP-2600      | EIP-3100   | EIP-3700    | EIP-4650    |
|-------------------------|-------|-----------|-----------|------------|------------|------------|------------|---------------|------------|-------------|-------------|
| EIP-P                   |       | EIP-300-P | EIP-440-P | EIP-740-P  | EIP-1100-P | EIP-1330-P | EIP-1850-P | EIP-2600-P    | EIP-3100-P | EIP-3700-P  | EIP-4650-P  |
| Torque Range*           | Nm    | 70 - 400  | 80 - 600  | 150 - 1000 | 250 - 1500 | 300 - 1800 | 450 - 2500 | 600 - 3500    | 800 - 4200 | 1000 - 5000 | 1300 - 6300 |
|                         | ft-lb | 52 - 295  | 59 - 443  | 111 - 738  | 184 - 1106 | 221 - 1328 | 332 - 1844 | 443 - 2591    | 590 - 3098 | 738 - 3688  | 959 - 4647  |
| Square Drive (B)        | in    | 3/4       | 3/4       | 3/4        | 1          | 1          | 1          | 1 / 1-1/2     | 1-1/2      | 1-1/2       | 1-1/2       |
| Diameter 1              | in    | 1.61      | 1.61      | 1.61       | 2.13       | 2.13       | 2.13       | 2.83          | 2.83       | 2.83        | 2.83        |
|                         | mm    | 41        | 41        | 41         | 54         | 54         | 54         | 72            | 72         | 72          | 72          |
| Diameter 2              | in    | 3.35      | 3.35      | 3.35       | 3.35       | 3.35       | 3.35       | 3.86          | 3.86       | 4.84        | 4.84        |
|                         | mm    | 85        | 85        | 85         | 85         | 85         | 85         | 98            | 98         | 123         | 123         |
| Diameter 3              | in    | 3.46      | 3.46      | 3.46       | 3.46       | 3.46       | 3.46       | 3.86          | 3.86       | 4.84        | 4.84        |
|                         | mm    | 88        | 88        | 88         | 88         | 88         | 88         | 98            | 98         | 123         | 123         |
| Length                  | in    | 12.99     | 12.99     | 12.99      | 15.04      | 15.04      | 15.28      | 15.75 / 15.98 | 15.98      | 16.85       | 17.17       |
|                         | mm    | 330       | 330       | 330        | 382        | 382        | 388        | 400 / 406     | 406        | 428         | 436         |
| Weight without support* | lb    | 19.84     | 19.84     | 19.84      | 22.05      | 22.05      | 24.26      | 29.1          | 29.1       | 38.58       | 40.79       |
|                         | kg    | 9         | 9         | 9          | 10         | 10         | 11         | 13.2          | 13.2       | 17.5        | 18.5        |
| Idle Speed*             | rpm   | 76        | 38        | 24         | 15         | 13         | 12         | 9             | 7          | 6           | 4           |

\*Note: When selecting a model remember to purchase a tool with sufficient power for loosening. A good guideline would be to select a model with 25% to 50% more power than needed for make up torques.

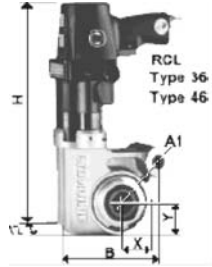
## Special Application Tools

### TITAN AT-52, AT-SG-42, AT-SG-52, ATC-52, ATC-SG-42 & ATC-SG-52

Titan AT 52 Radial Torque Wrench was developed as a fast easy way to run down the nuts and simultaneously seat the plates on PLATE HEAT EXCHANGERS. Best suited for larger Plate Heat Exchangers the AT 52 is also well suited for applications in confined or explosive atmospheres. This two speed unit will deliver from 670 Nm to 4840 Nm

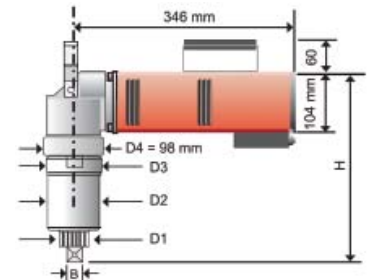
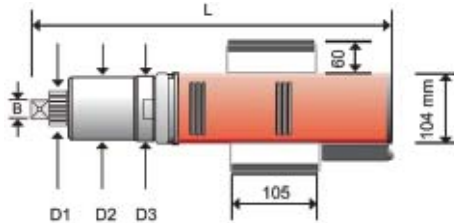


### TITAN AT-24 & AT-30



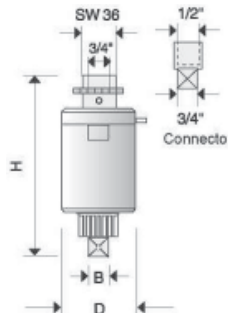
| TITAN MODEL No. | 2 Gear           | 1 Gear            | H         | B        | X / Y    | Weight  |
|-----------------|------------------|-------------------|-----------|----------|----------|---------|
| AT-24           | 590 - 1730 Nm    | 1440 - 4235 Nm    | 400 mm    | 163 mm   | 56 mm    | 12.5 kg |
|                 | 435 - 1275 ft-lb | 1065 - 3125 ft-lb | 15.75 in. | 6.42 in. | 2.21 in. | 27.6 lb |
| AT-30           | 630 - 1850 Nm    | 1545 - 4535 Nm    | 435 mm    | 188 mm   | 73 mm    | 14.0 kg |
|                 | 465 - 1365 ft-lb | 1140 - 3345 ft-lb | 17.13 in. | 7.40 in. | 2.87 in. | 30.9 lb |

### TITAN EHS & EHS-P Extreme Duty Electric Torque Wrench



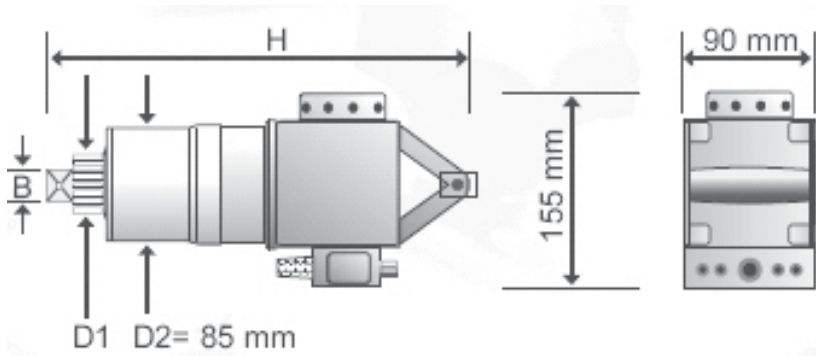
| TITAN MODEL No.     | EHS-1550<br>EHS-1550-P         | EHS-2000<br>EHS-2000-P | EHS-2300<br>EHS-2300-P | EHS3150<br>EHS3150-P | EHS-4550<br>EHS-4550-P | EHS-5750<br>EHS-5750-P | EHS-7200<br>EHS-7200-P | EHS-15000<br>EHS-15000-P | EHS-31000<br>EHS-31000-P |
|---------------------|--------------------------------|------------------------|------------------------|----------------------|------------------------|------------------------|------------------------|--------------------------|--------------------------|
| Torque rang approx. | Nm 300-2100<br>ft-lbs 221-1550 | 435-2695<br>320-1980   | 500-3100<br>370-2280   | 900-4250<br>663-3130 | 1100-6150<br>811-4530  | 1800-7800<br>1320-5750 | 2050-9800<br>1500-7220 | 5300-20600<br>3900-15200 | 6240-42120<br>4600-31000 |
| B Square Drive      | 1"                             | 1"                     | 1"                     | 1 1/2"               | 1 1/2"                 | 1 1/2"                 | 1 1/2"                 | 2 1/2"                   | 2 1/2"                   |
| D1 Diameter approx. | 54 mm                          | 54 mm                  | 72 mm                  | 72 mm                | 72 mm                  | 72 mm                  | 91 mm                  | SW120                    | SW120                    |
| D2 Diameter         | 85 mm                          | 85 mm                  | 98 mm                  | 98 mm                | 123 mm                 | 148 mm                 | 173 mm                 | 275 mm                   | 275 mm                   |
| D3 Diameter         | 88 mm                          | 88 mm                  | 88 mm                  | 88 mm                | 123 mm                 | 148 mm                 | 173 mm                 | 98 mm                    | 130 mm                   |
| Length              | 515 mm                         | 515 mm                 | 515 mm                 | 525 mm               | 550 mm                 | 555 mm                 | 555 mm                 | 650 mm                   | 650 mm                   |
| Weight              | 13 kg                          | 13 kg                  | 14 kg                  | 14.5 kg              | 19 kg                  | 22 kg                  | 27 kg                  | 60 kg                    | 62 kg                    |
| Idle Speed approx   | 16 rpm                         | 14 rpm                 | 12 rpm                 | 8 rpm                | 7 rpm                  | 4 rpm                  | 3 rpm                  | 1 rpm                    | 0.6 rpm                  |

### TITAN Manual Power Drivers



| Technical data             |         | MM1100-R-12<br>(10) | MM1500-R-16<br>(15) | MM2600-R-16<br>(20) | MM3700-R-24<br>(30) | MM4500-R-24<br>(40) | MM5900-R-24<br>(50) | MM8500-R-24<br>(60) |
|----------------------------|---------|---------------------|---------------------|---------------------|---------------------|---------------------|---------------------|---------------------|
| Torque Capability, Ft. Lbs |         | 1,050               | 1,500               | 2,600               | 3,700               | 4,500               | 5,900               | 8,500               |
| Square Drive Out           | B       | 3/4"                | 1"                  | 1"                  | 1-1/2"              | 1-1/2"              | 1-1/2"              | 1-1/2"              |
| Input Square Drive         |         | 3/4"                | 3/4"                | 3/4"                | 3/4"                | 3/4"                | 3/4"                | 3/4"                |
| Factor                     |         | 4                   | 4                   | 4                   | 18                  | 20                  | 24                  | 28                  |
| Diameter                   | In/mm D | 3.34 / 85           | 3.34 / 85           | 3.34 / 85           | 3.86 / 98           | 4.84 / 123          | 5.8 / 148           | 6.8 / 173           |
| Height                     | In/mm H | 7 / 180             | 7.8 / 200           | 9.2 / 235           | 9.8 / 250           | 11 / 280            | 11.0 / 280          | 11.4 / 290          |
| Weight                     | Lb/kg   | 8 / 3.5             | 9 / 4               | 13 / 6              | 15 / 7              | 33 / 15             | 35 / 16             | 62 / 28             |





**Titan assembly line  
&  
Production Tooling**

**AirTite® ATC Series**

| Series ATC                 |                 | ATC-160     | ATC-210     | ATC-290 | ATC-360 | ATC-660 | ATC-780  | ATC1070  | ATC-1400 | ATC-2000 | ATC-2500  |
|----------------------------|-----------------|-------------|-------------|---------|---------|---------|----------|----------|----------|----------|-----------|
| Performance **             | Nm              | 60-220      | 95-280      | 135-390 | 165-485 | 305-895 | 365-1080 | 495-1450 | 645-1900 | 910-2670 | 1180-3460 |
| Square drive               | B               | 1/2" / 3/4" | 1/2" / 3/4" | 3/4"    | 3/4"    | 3/4"    | 3/4"     | 1"       | 1"       | 1"       | 1"        |
| Diameter D <sub>1</sub> ** | mm              | 41          | 41          | 41      | 41      | 41      | 41       | 54       | 54       | 54       | 54        |
| Height (H)                 | mm              | 296         | 296         | 296     | 296     | 318     | 318      | 320      | 340      | 372      | 372       |
| Weight without support**   | kg              | 5,8         | 5,8         | 6,2     | 6,2     | 6,8     | 6,8      | 6,8      | 6,8      | 7,4      | 7,4       |
| Idling speed **            | mm <sup>1</sup> | 60          | 38          | 34      | 27      | 19      | 13       | 9        | 7        | 6        | 4         |
| Prices                     | EUR             |             |             |         |         |         |          |          |          |          |           |

\* Output profile: quick rotating tool  
Attention: Take care to secure and stable the reaction support.  
\*\*approximate values

## ACCESSORIES

### AirTite® special Reaction Arms and extensions

Need something special for that difficult bolting application? We probably have it in stock. Contact your Titan representative for details.



**Tower Crane Reaction**



**Mill Liner Reaction**



**Crab Nut Reaction**



**Deep Well  
Socket Reaction**



**Straight Reactions  
& Blanks**



**and MUCH MORE**

### Drive Extensions



The AirTite® Nose Extension Tool is a pneumatic torque wrench tool with an integral drive extension. This tool is especially useful in those difficult applications where a drive extension is required. Simple, and easy to use.

## TITAN Mission Statement

Our mission is to be the leading global provider of high-end bolting solutions for the benefit of our customers, our shareholders, our employees and our partners by providing:

- Direct customer relations and local presence in the markets served.
- Superior products and services.
- Total customer solutions.

Our unwavering mission guides our everyday actions....  
Customer driven product development fuels our growth....  
Listening to customer needs builds our market leadership....  
Continuous improvement is fundamental to our continued success.

**Titan Technologies** - Different from other companies that sell bolting products and services. Titan is a solutions based company which features a vast array of solutions to any bolting application.



**People:** Titan enjoys a worldwide network of experienced experts trained to recommend the most cost-effective solution for your bolting job.

**Technical Expertise** - Bolting applications experience in multiple industries including power generation, oil and gas, chemicals, pulp and paper and more.



**Quality:** All of our products are designed using the latest aerospace finite element design techniques and machining technology.

**Local Service** - Extensive network of independent sales representatives and authorized dealers located worldwide.



**Engineering:** Titan spends a higher percentage of its revenue in research and development to ensure the highest quality and most durable products on the market.

**Quality Guarantee • Extensive Warranty**

### ADDITIONAL PRODUCTS & SERVICES OFFERED

- Titan LP Series Hydraulic Torque Wrenches and T-Series Hydraulic Torque Wrenches
- Titan Bolt Tensioners - Modular and Dedicated Style
- AquaTite auto-return SUBSEA Tensioners
- Titan Hydraulic Nuts
- Power Spreader Flange Spreaders
- Power Splitter Nut Splitters
- Sockets & Accessories
- Titan Hydraulic Wrench Pumps
- Rentals For All Product Lines
- Equipment Service & Repair
- Calibration Service



# TITAN

TECHNOLOGIES INTERNATIONAL, INC  
SUPERIOR BOLTING SOLUTIONS®

9001 Jameel Rd. Ste. 180  
Houston, TX 77040

Toll-Free for U.S.A. and Canada: 866.345.8484  
Phone: +1.281.449.9994 • Fax: +1.281.449.9996  
Email: Sales@TitanTi.com  
<http://www.TitanTi.com>

Your Local **TITAN** Representative:

**NORTHEAST  
INDUSTRIAL BOLTING**

KRIS SABOL: BOLTING SPECIALIST

CELL: 484.951.6628  
FAX: 1.866.780.9316  
WEB: [WWW.NIBTORQUE.COM](http://WWW.NIBTORQUE.COM)  
EMAIL: [INDUSTRIALBOLTING@YAHOO.COM](mailto:INDUSTRIALBOLTING@YAHOO.COM)

